


PRODUCT SHEET

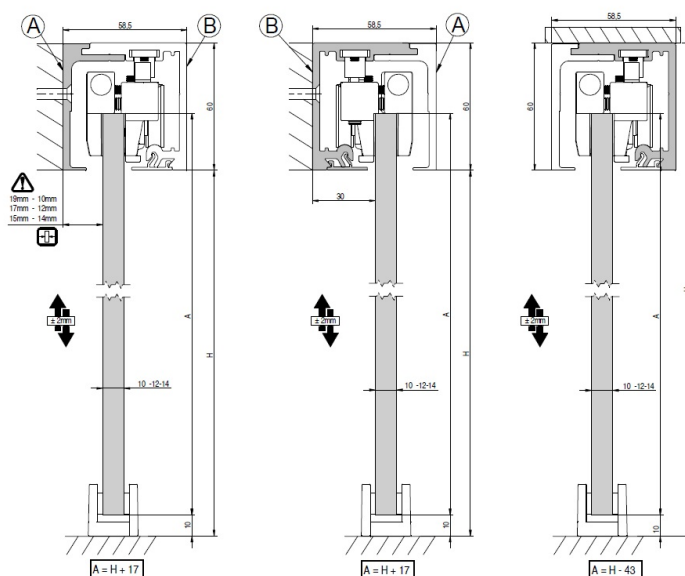
Description:

Sliding Door SISO-110CW, 2000mm, AL,Celing/Wall Mount,W/Soft Close, 10-14mm Glass Thickness, Max 110KG, Double, Soft Pro Brake, Alu Anodized

Item number:

28.29.560-0

| Units | Box | Carton | HS Code | Barcode |
|-------|-----|--------|------------|--|
| Set | 1 | 1 | 8302415000 |  |
| | | | | 5704866487719 |



SISO A/S

Mileparken 11
DK-2740 Skovlunde
Denmark
VAT: DK 24786013

Phone +45 45 830 900

www.siso.dk
siso@siso.dk

Danske Bank
Nytorv Branch
Copenhagen
SWIFT: DABADKKK

Account no.
4180 3112 112936
IBAN Account
DK7230003112112936